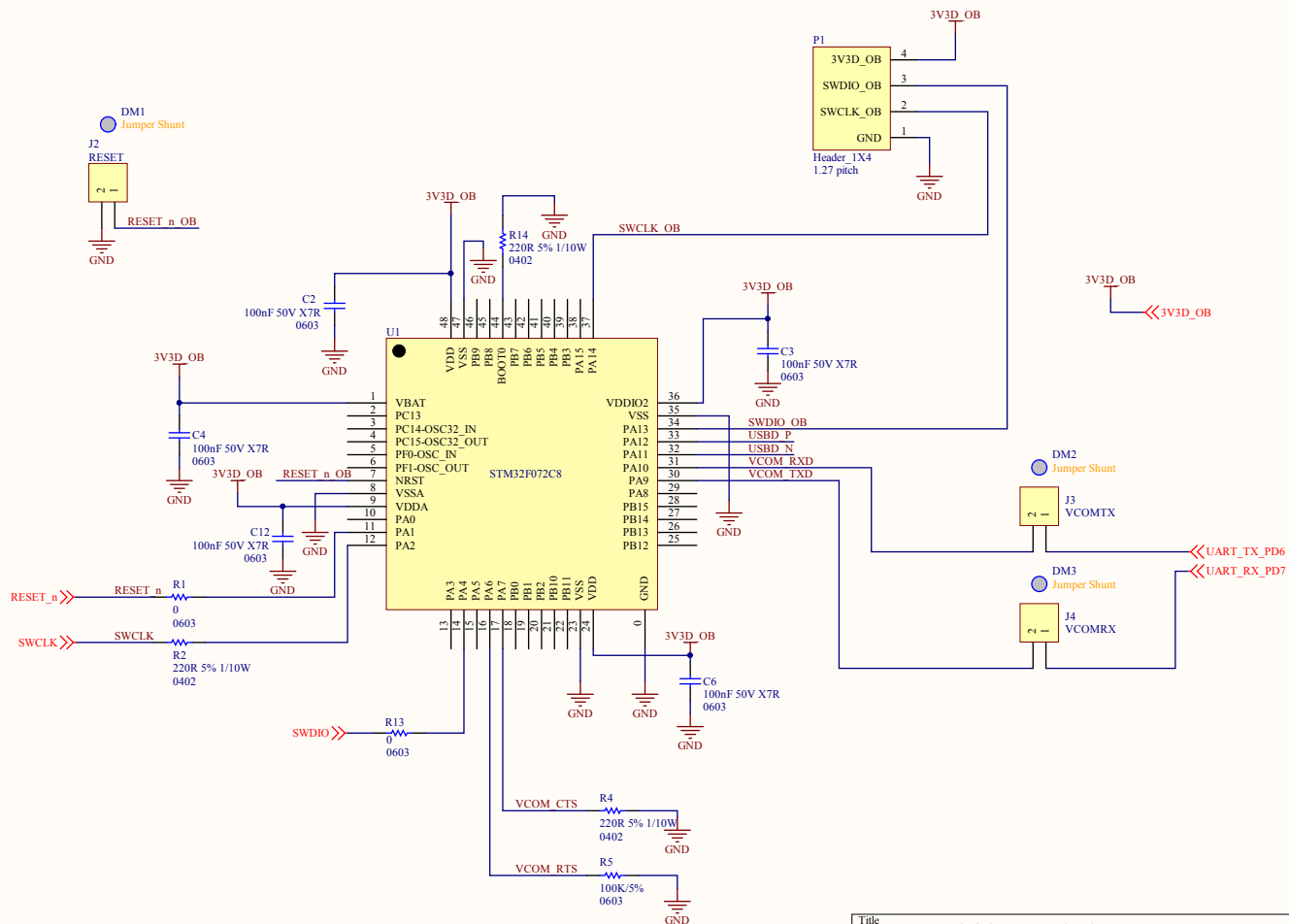
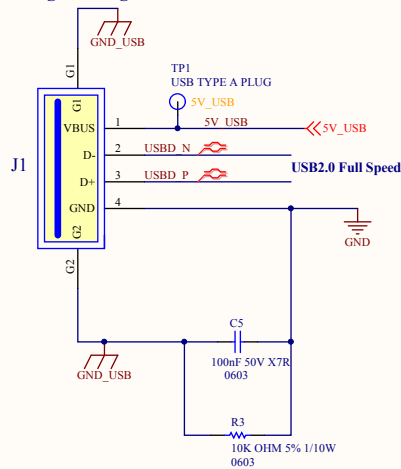


**USB: Programming/VCOM**



Title			jLink on Board.SchDoc		
Size	Number	Revision			
B	Kamcho Mini USB Dongle	1.0			
Date:	9/21/2015	Sheet	of		
File:	C:\Users\...\jLink on Board.SchDoc	Drawn By:			

1

2

3

4

A

A

B

B

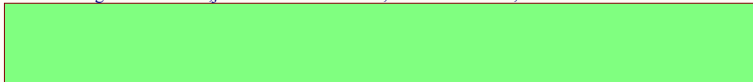
C

C

D

D

U\_KamchoMini  
Power Management.SchDoc;jLink on Board.SchDoc; Kamcho.SchDoc; Sensors.SchDoc



Title			Kamcho Mini USB Dongle - Rev 1.0 TOP.SchDoc		
Size	Number	Revision			
A	Kamcho Mini USB Dongle	1.0			
Date:	9/21/2015	Sheet of			
File:	C:\Users\...\Kamcho Mini USB Dongle - Rev 1.0 TOP.SchDoc				

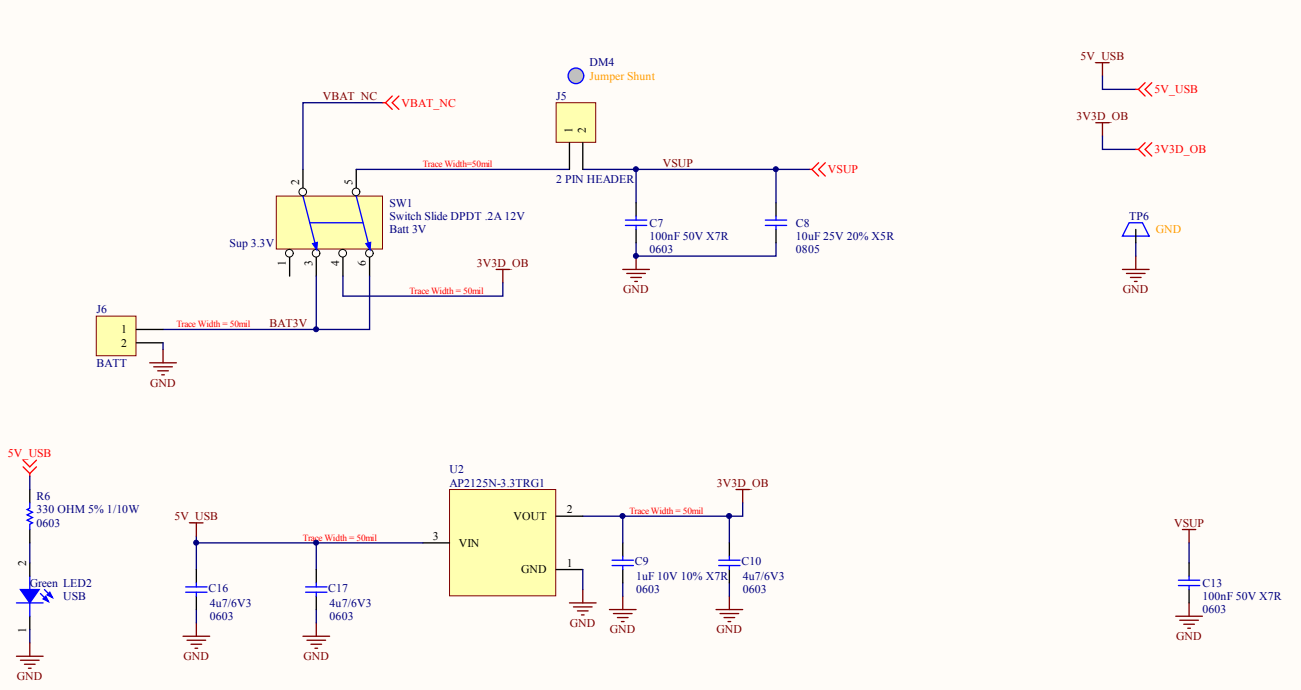
1

2

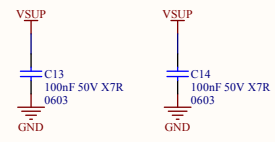
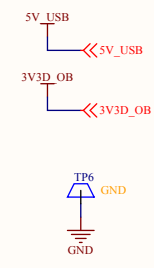
3

4

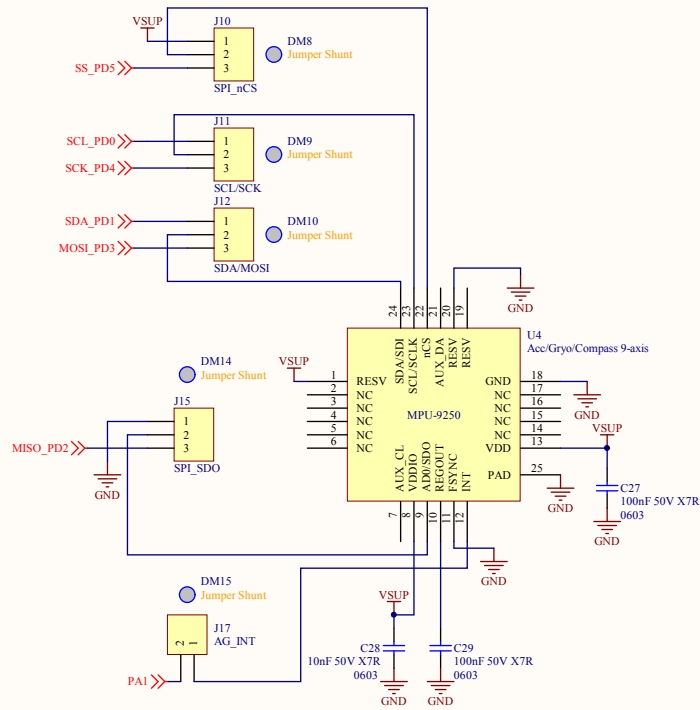




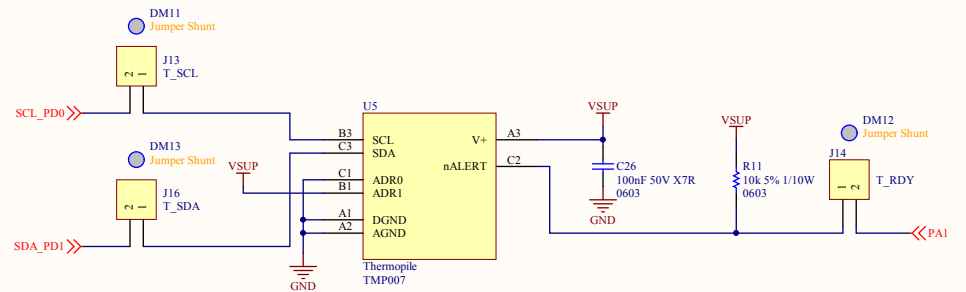
- Fid 1
- Fid 2
- Fid 3
- Fid 4
- Fid 5
- Fid 6
- Fid 7
- Fid 8



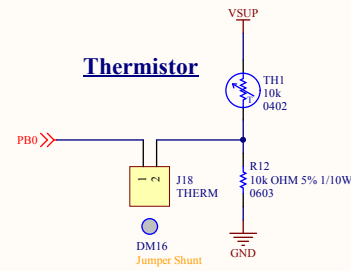
Title			Power Management.SchDoc		
Size	Number		Revision		
B	Kamcho Mini USB Dongle		1.0		
Date:	9/21/2015		Sheet of		
File:	C:\Users\...Power Management.SchDoc		Drawn By:		



**Accelerometer/Gyroscope**



**Thermopile**



**Thermistor**

Title		
<b>Sensors</b>		
Size	Number	Revision
B	<b>Kamcho Mini USB Dongle</b>	<b>Rev 1.0</b>
Date:	9/21/2015	Sheet of
File:	C:\Users\...Sensors.SchDoc	Drawn By: