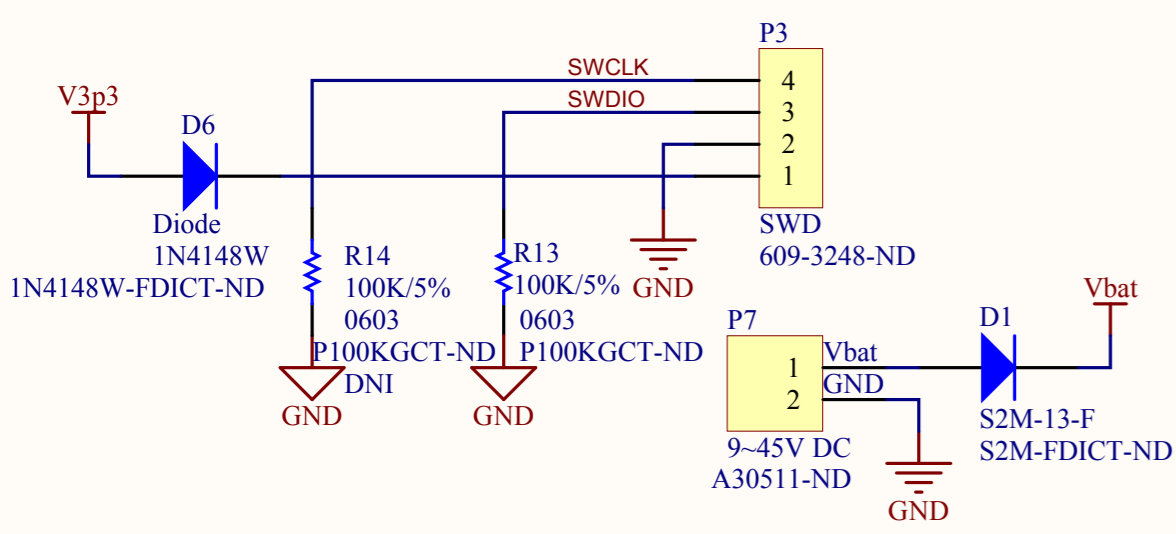


Programming Header + Power for Standalone Use

PROGRAMMING HEADER



Title			Krankl QFN 6x6 Daughter Board		
Size	Number	Revision		Rev 0.2	
B					
Date:	1/8/2015	Sheet of			
File:	C:\Users\...\Krankl QFN 6x6 Socket Daughter Board.SchDoc	Doc			